



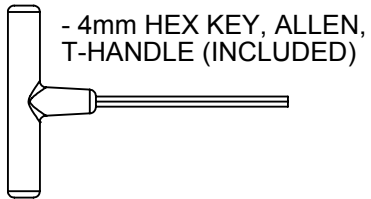
All Weather Furnishings

Model:

PL83-T1L1

- (1) Table top
- (2) Leg Assemblies
- (2) Brace
- (1) Hardware pack

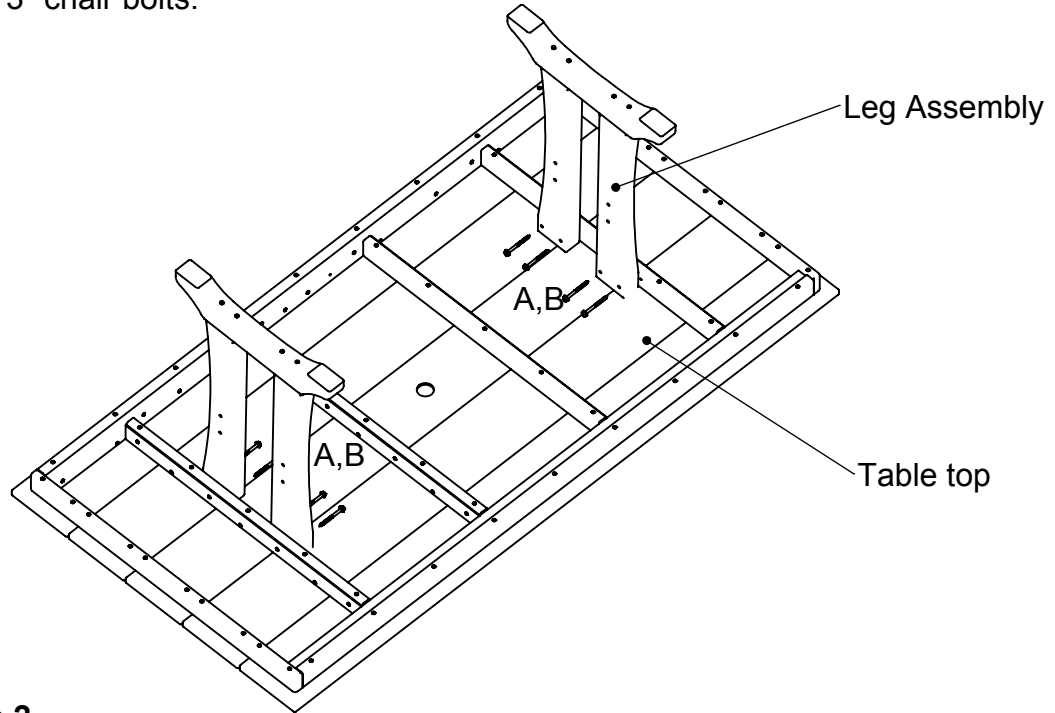
TOOLS NEEDED



- 7/16" Wrench (not included)

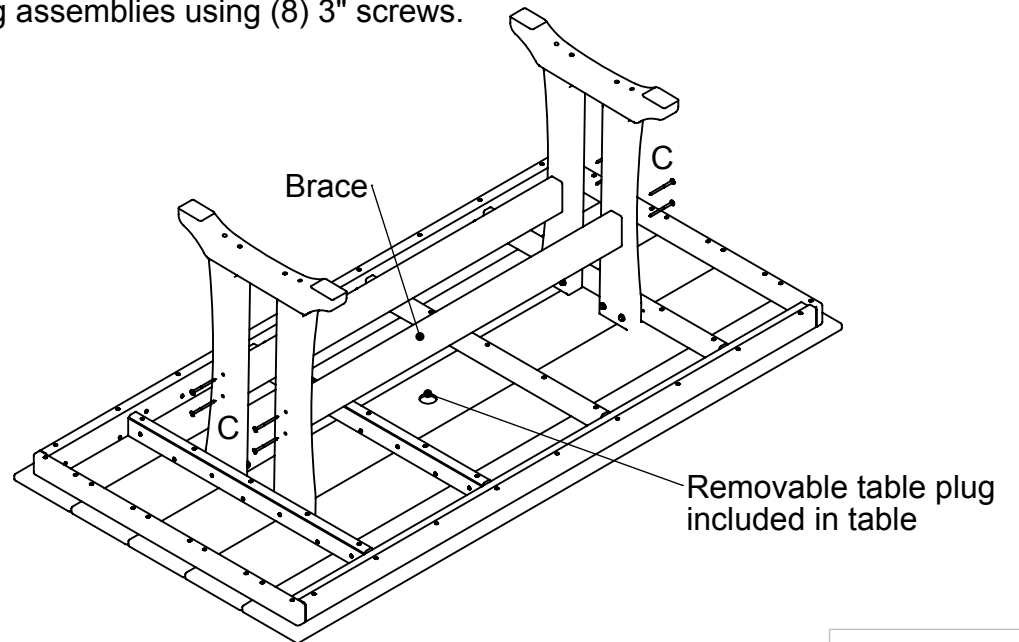
Step 1

Attach leg assemblies to table top using (8) 1/4" washers and (8) 3" chair bolts.



Step 2

Attach braces to leg assemblies using (8) 3" screws.



Qty. Description

